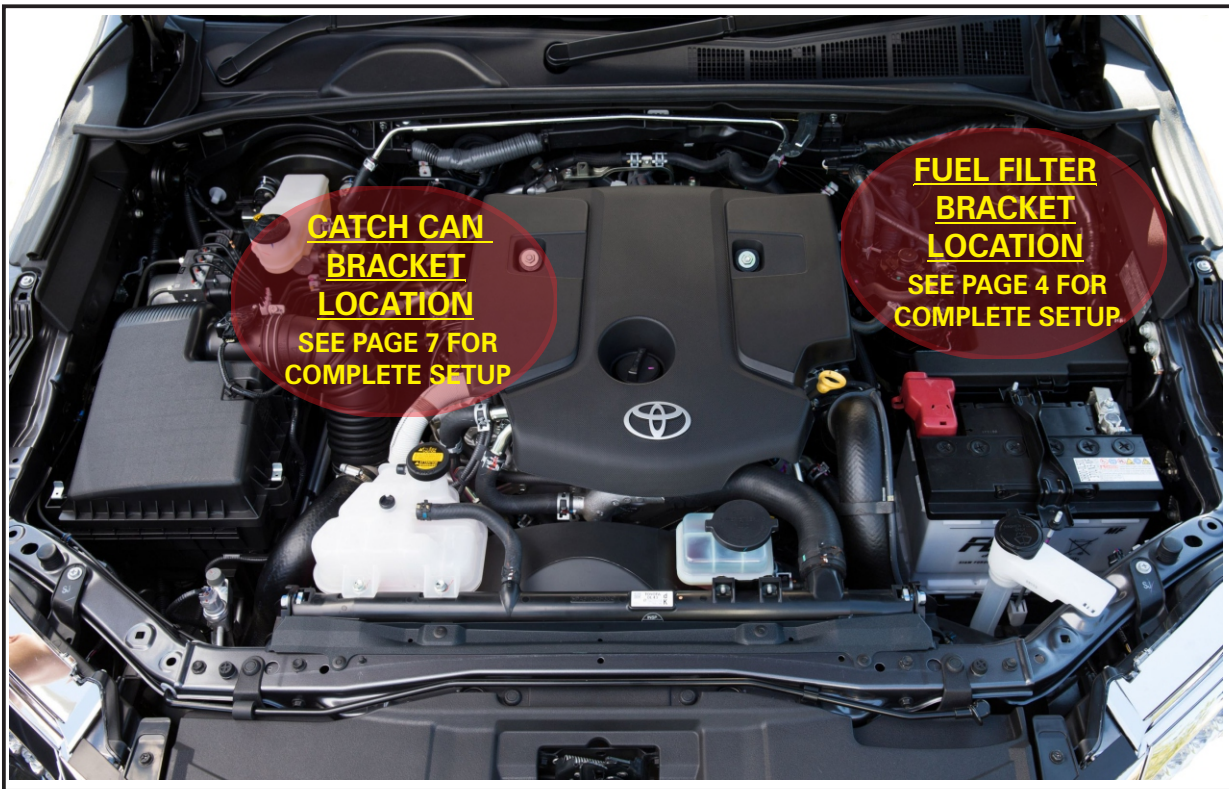


**RVSK102 FUEL WATER SEPARATOR / CATCHCAN FITMENT INSTRUCTIONS**

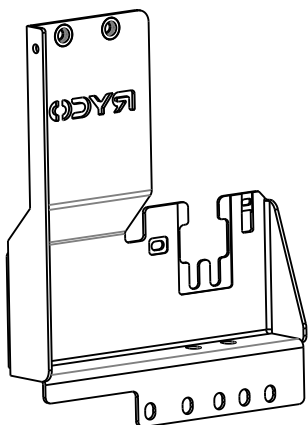
TOYOTA HILUX GUN / FORTUNER 2015-ON - See RYCO catalogue for specific application details.

The Ryco RVSK102 kit includes mounting brackets specifically designed for the vehicle, and all components required to complete the installation of Ryco Z980K series fuel water separator and RCC351 series catchcan (both sold separately). It is recommended that the installation is conducted by a qualified mechanic following the procedures in this instruction sheet.



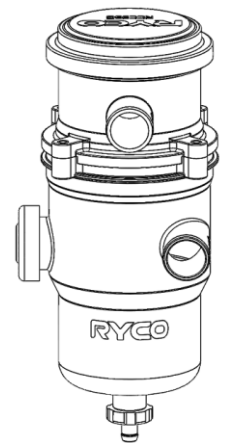
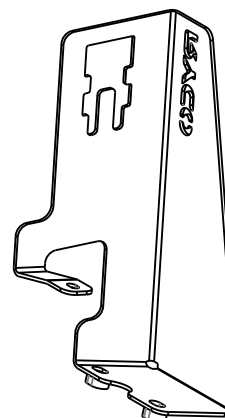
**SECTION 1**

**FUEL FILTER METAL BRACKET (INCLUDED IN RVSK102)**      **FUEL WATER SEPARATOR (SOLD SEPARATELY)**



**SECTION 2**

**CATCH CAN METAL BRACKET (INCLUDED IN RVSK102)**      **CATCHCAN (SOLD SEPARATELY)**



**COMPONENTS INCLUDED IN RVSK102 KIT  
(NOT SOLD SEPARATELY)**

**PARTS LIST - FUEL FILTER BRACKET & COMPONENTS BOX**

MS4044  
CABLE TIE x 20

MS4096  
QUICK CONNECTOR x 2

MS4096  
QUICK CONNECTOR x 2

MS4042  
FUEL HOSE CLAMP x 2

MS4036  
FLAT WASHER x 2 (M6)

MS4099  
NYLON LOCK NUT x 1 (M6)

MS4037  
HEX BOLT x 2 (M6)

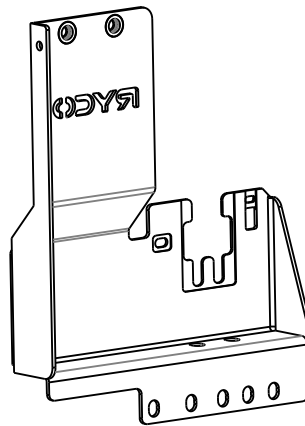
MS4081  
ELBOW CONNECTOR x 2

MS4043  
THREAD SEALANT x 1

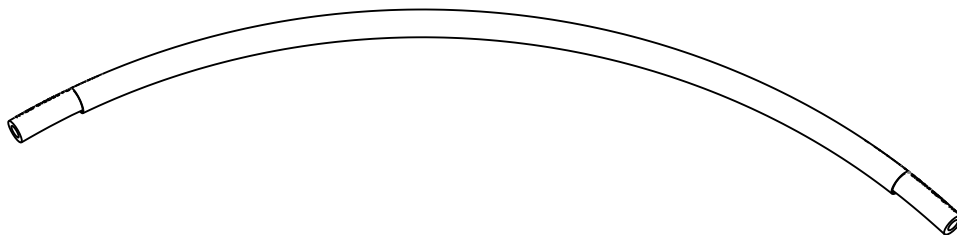
9.89

9.89

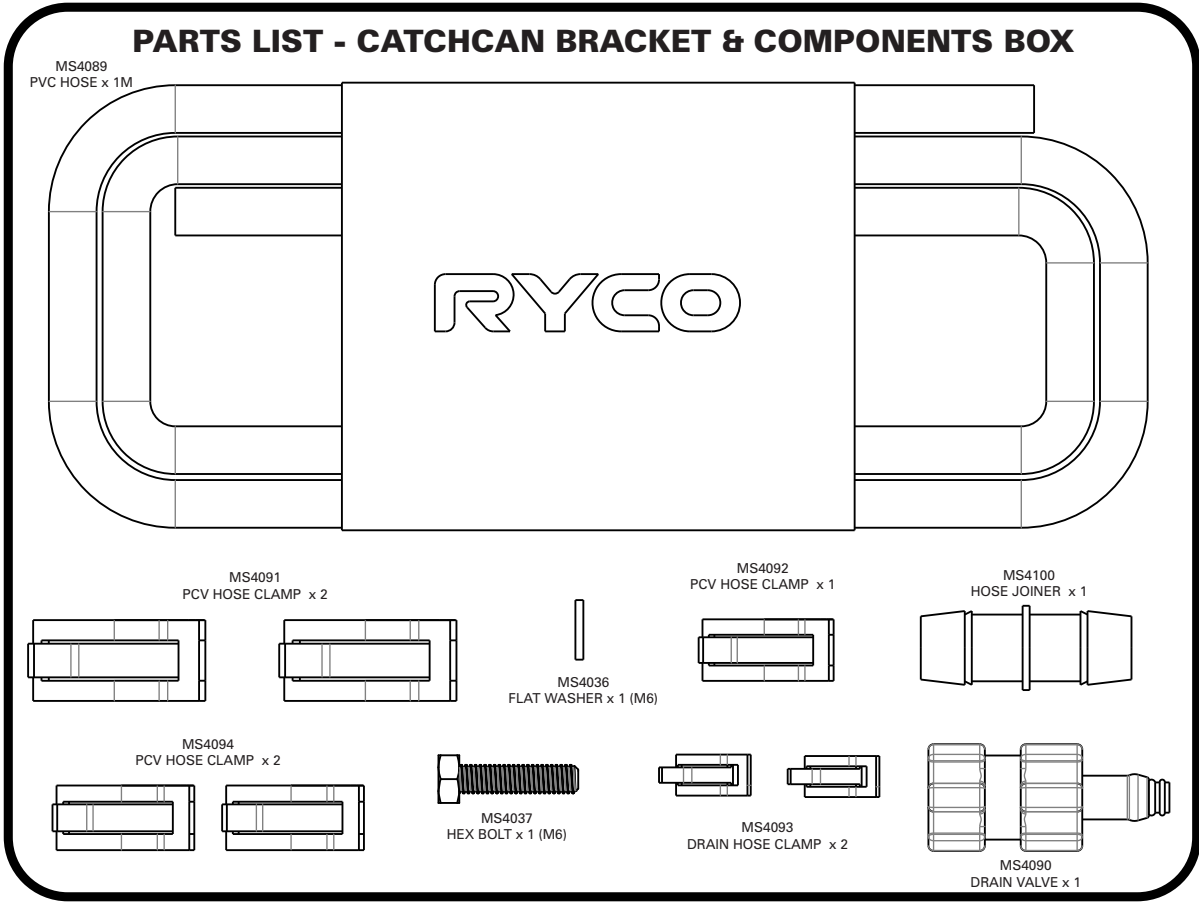
**FB9808FC**  
FUEL FILTER METAL BRACKET x 1



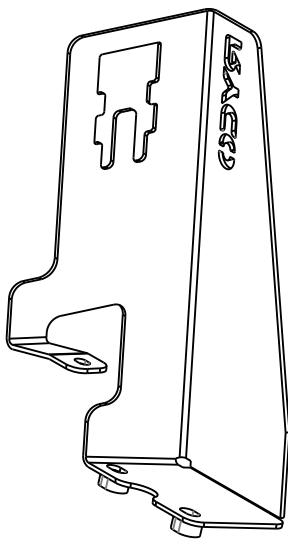
**HF9808**  
FUEL HOSE x 1  
(720mm)



**COMPONENTS INCLUDED IN RVSK102 KIT  
(NOT SOLD SEPARATELY)**



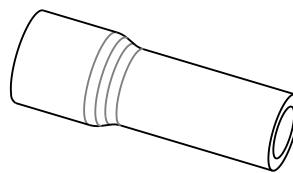
**FB9808FC  
CATCH CAN METAL BRACKET x 1**



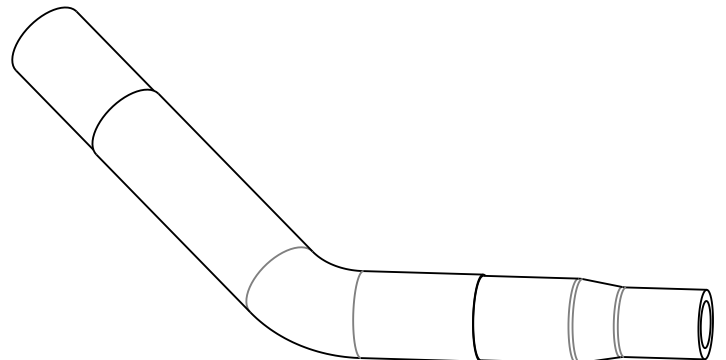
**NYLON BRACKET x 1**



**MH9808A PCV HOSE x 1**

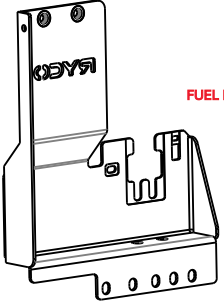
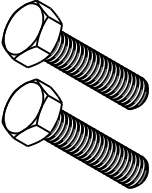
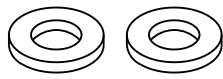



**MH9808B PCV HOSE x 1**



## RVSK102 FUEL WATER SEPARATOR FITMENT INSTRUCTIONS

### SECTION 1A FUEL FILTER BRACKET FITMENT

PARTS REQUIRED		TOOLS & PPE'S REQUIRED
 <p>FB9808FC FUEL FILTER METAL BRACKET</p>	<p>MS4037 HEX BOLT x 2 (M6)</p>  <p>MS4036 WASHER x 2 (M6)</p>  <p>MS4099 NYLON LOCK NUT x 1 (M6)</p> 	<p>* WORK GLOVES * RACHET SET</p>

### WORK PROCEDURE

1. The Ryco fuel filter bracket replaces the factory bracket. The factory bracket needs to be removed.
2. To remove the factory bracket, disconnect electrical connector (V), dismantle filter housing lock cable clip (W) and cable harness clip (X). Remove the bolt securing the ECU to the wheel arch besides the factory filter bracket (Y). See detail in Fig. 1.
3. Grab the factory filter housing assembly and lift up to remove from the factory bracket. Remove the 5 bolts securing the factory bracket to the vehicle. The factory bracket is no longer required, store for safe keeping
4. Fit the Ryco bracket in the same position as the factory bracket reusing the 5 factory bolts (A), and a supplied bolt and washer (B). Secure the ECU to the right hand side of the bracket using the supplied M6 bolt, washer and lock nut (C) (Check detail in per Fig. 2. )
5. Slide the factory filter housing assembly on to the Ryco fuel filter bracket. Connect electrical connector, fit filter housing lock cable clip and cable harness clip. Tighten all fasteners.

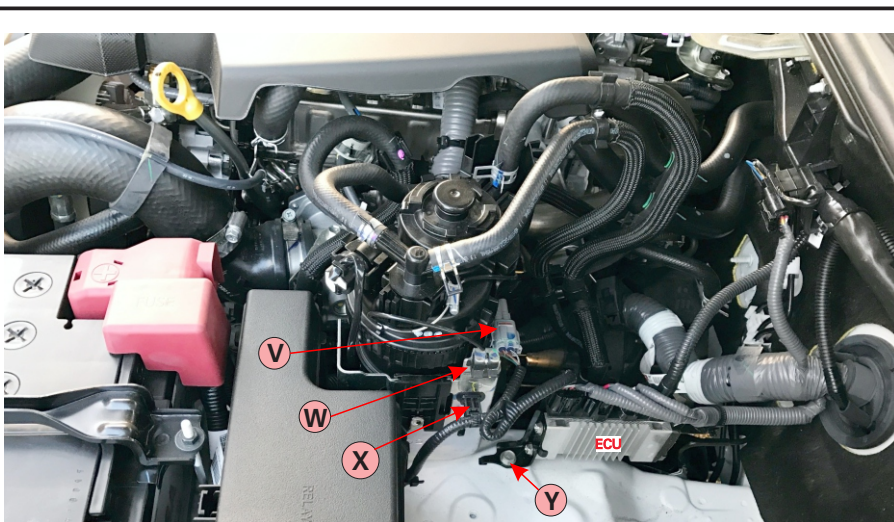


FIG. 1 FACTORY FUEL FILTER IDENTIFICATION

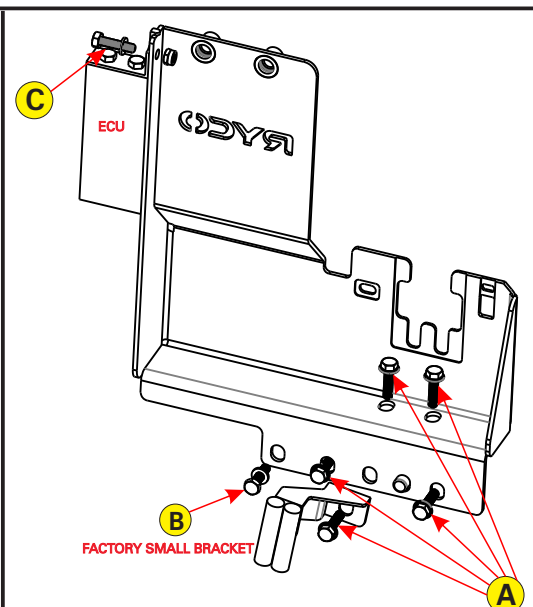
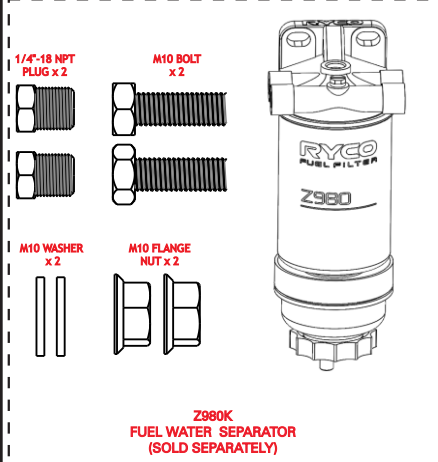
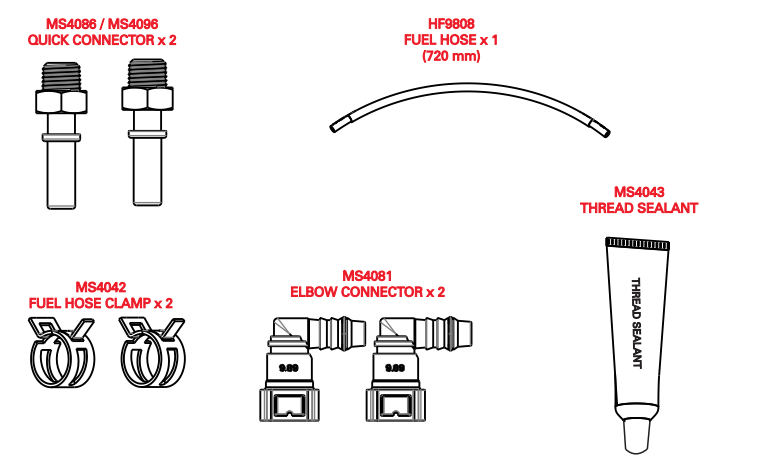


FIG. 2 BRACKET INSTALLATION

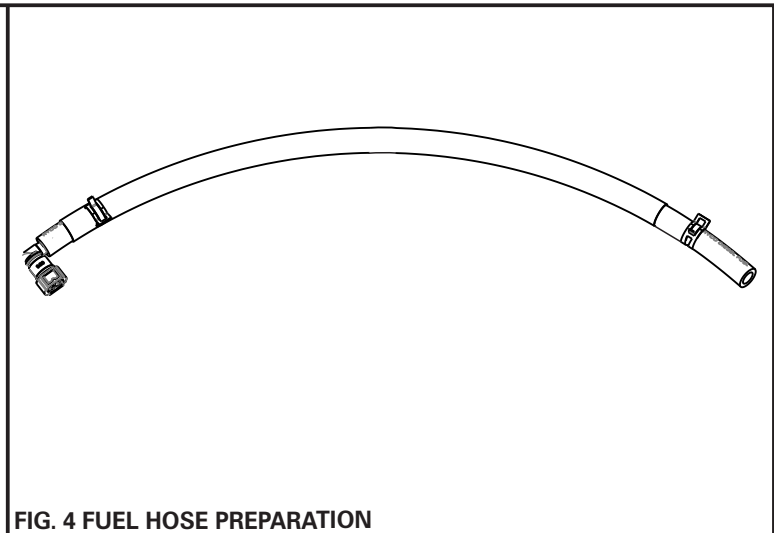
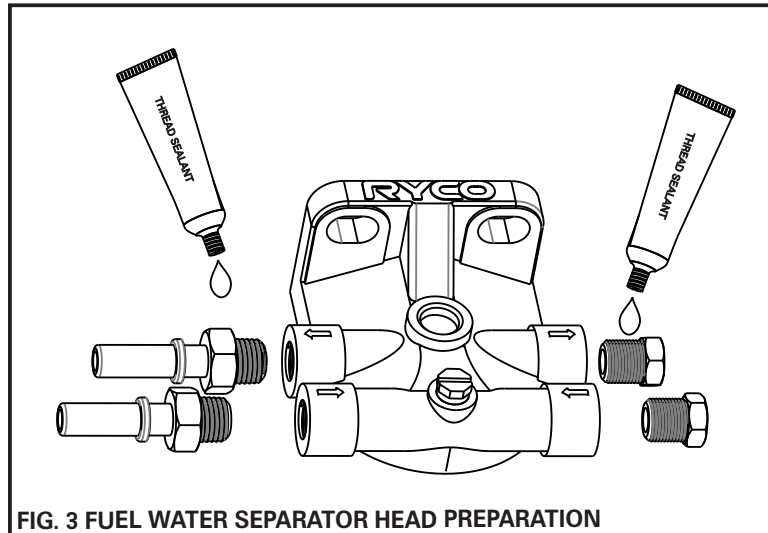
# RVSK102 FUEL WATER SEPARATOR FITMENT INSTRUCTIONS

## SECTION 1B FUEL WATER SEPARATOR INSTALLATION

PARTS REQUIRED		TOOLS & PPE'S REQUIRED
 <p>1/4"-18 NPT PLUG x 2</p> <p>M10 BOLT x 2</p> <p>M10 WASHER x 2</p> <p>M10 FLANGE NUT x 2</p> <p>Z980K FUEL WATER SEPARATOR (SOLD SEPARATELY)</p>	 <p>MS4086 / MS4096 QUICK CONNECTOR x 2</p> <p>MS4042 FUEL HOSE CLAMP x 2</p> <p>MS4081 ELBOW CONNECTOR x 2</p> <p>HF9808 FUEL HOSE x 1 (720 mm)</p> <p>MS4043 THREAD SEALANT</p>	<ul style="list-style-type: none"> <li>* WORK GLOVES</li> <li>* RACHET SET</li> <li>* HOSE CLAMP PLIERS</li> <li>* RAGS</li> </ul>

### WORK PROCEDURE

1. Select the supplied quick connectors that fit the Ryco fuel water separator head.
2. Locate the blanking plugs supplied with the fuel water separator.
3. Apply the supplied thread sealant to the thread of the blanking plugs and the quick connectors. Install them as per Fig. 3, ensuring they are tight.
4. Install one of the supplied elbow connector onto one end of a supplied fuel hose and install two (2) supplied fuel hose clamps onto both ends of fuel hose, as per Fig. 4. Do not tighten fuel hose clamps yet.



## RVSK102 FUEL WATER SEPARATOR FITMENT INSTRUCTIONS

### SECTION 1B FUEL WATER SEPARATOR INSTALLATION (CONTINUED)

#### WORK PROCEDURE (CONTINUED)

5. Locate the fuel inlet hose at the factory fuel filter. Loosen the factory fuel hose clamp and disconnect the fuel supply line coloured green in Fig. 5) from the factory filter. Have a rag ready to capture any diesel that may spill out of the fuel line and the fuel filter. Then install supplied fuel hose clamp and insert the supplied elbow connector (MS4081) onto the end of fuel supply line, do not tighten fuel hose clamps yet.
6. Mount the Z980K fuel filter assembly onto the fuel filter bracket facing to the engine using the two (2) black M10 bolts and washers supplied with the Z980K.
7. Connect the fuel supply line which has been prepared in step 5 to the inlet port of the Z980K (coloured green in Fig. 6) by pushing the elbow connector onto the metal quick connector until you hear a "click".
8. Connect HF9808 hose to the outlet port of the Z980K (coloured yellow in Fig. 6) by pushing the elbow connector onto the metal quick connector until you hear a "click", and route the other end as per Fig. 6. Connect the end of the fuel hose to the factory fuel filter inlet port, then secure with a hose clamp.
10. Ensure all hose clamps are secure. Check both fuel hoses are not jammed or kinked. For added security, use the supplied cable ties to secure the fuel hoses if necessary.
11. Locate the priming button on top of the factory fuel filter. Prime the fuel system by pumping the button repeatedly until you feel it go hard and become difficult to press any further. The priming process could take approximately 5 - 10 minutes.  
Note: DO NOT open the bleed screw on the Z980K during the priming process.
12. Once the fuel system has been primed, start the engine. Check for any leaks.

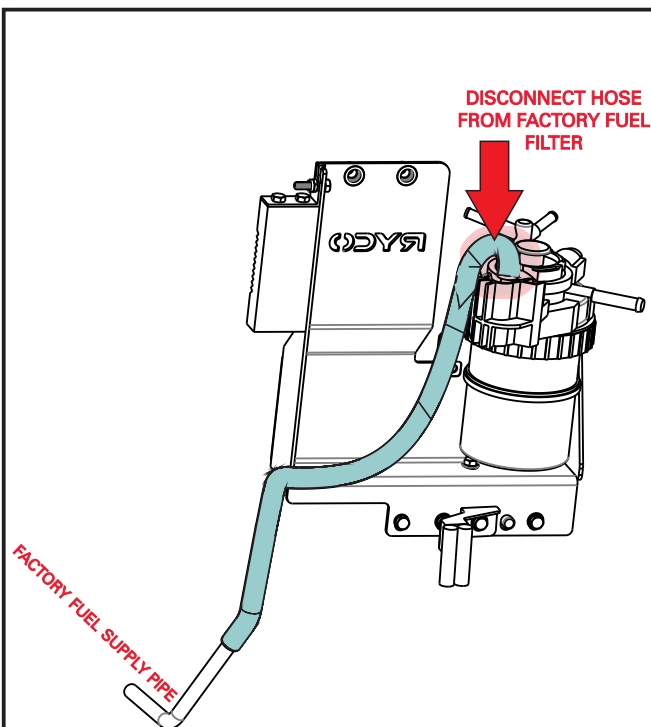


FIG. 5 FACTORY HOSE IDENTIFICATION

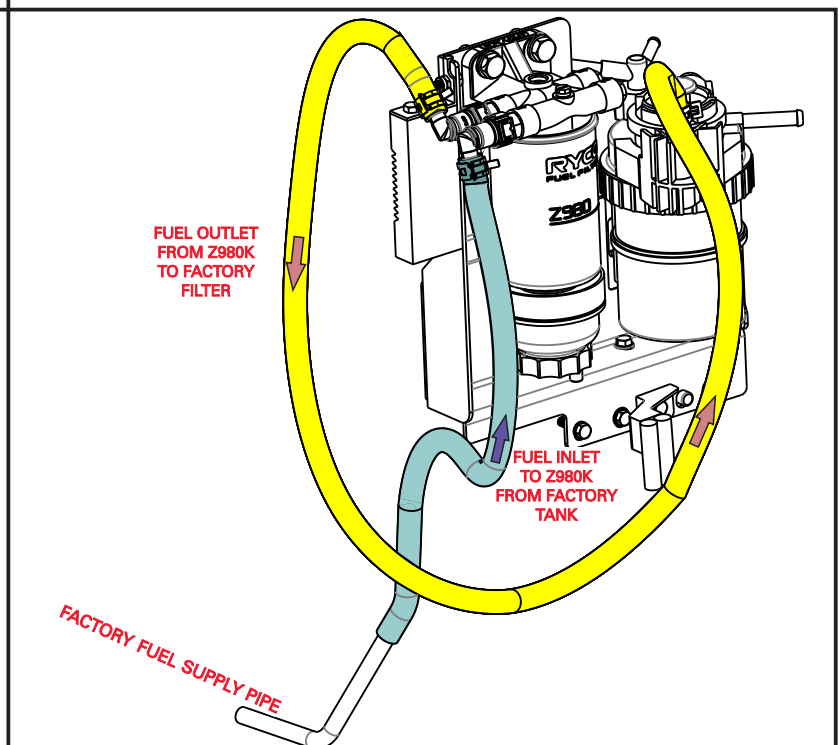
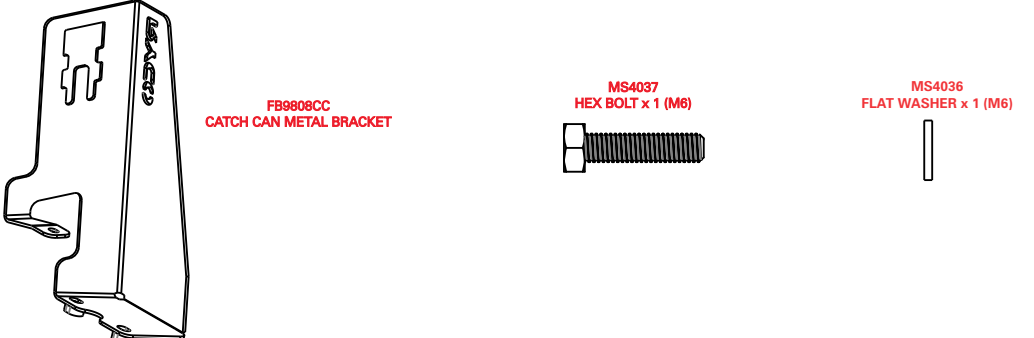


FIG. 6 FUEL WATER SEPARATOR INSTALLATION

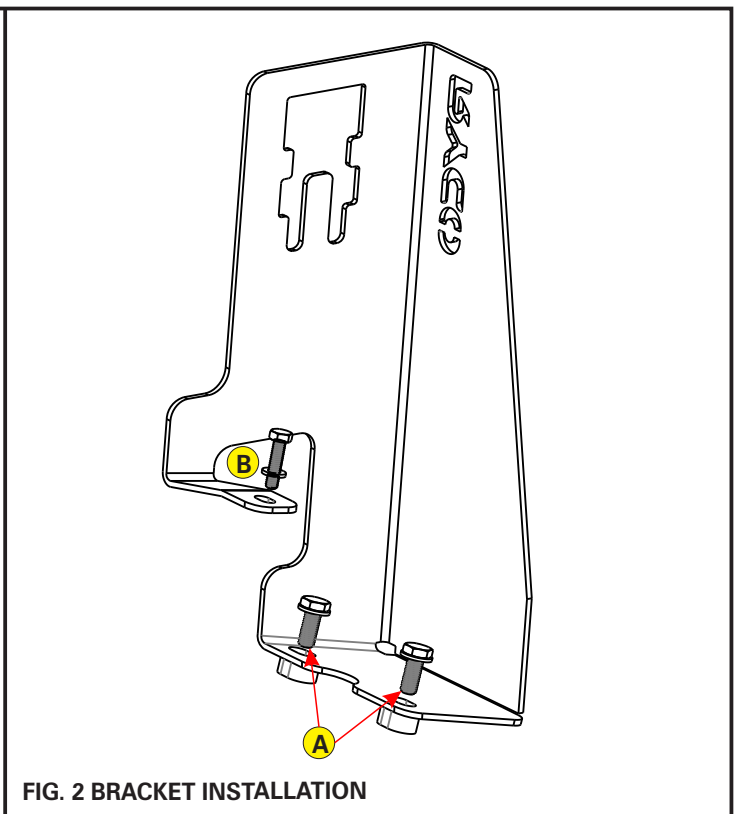
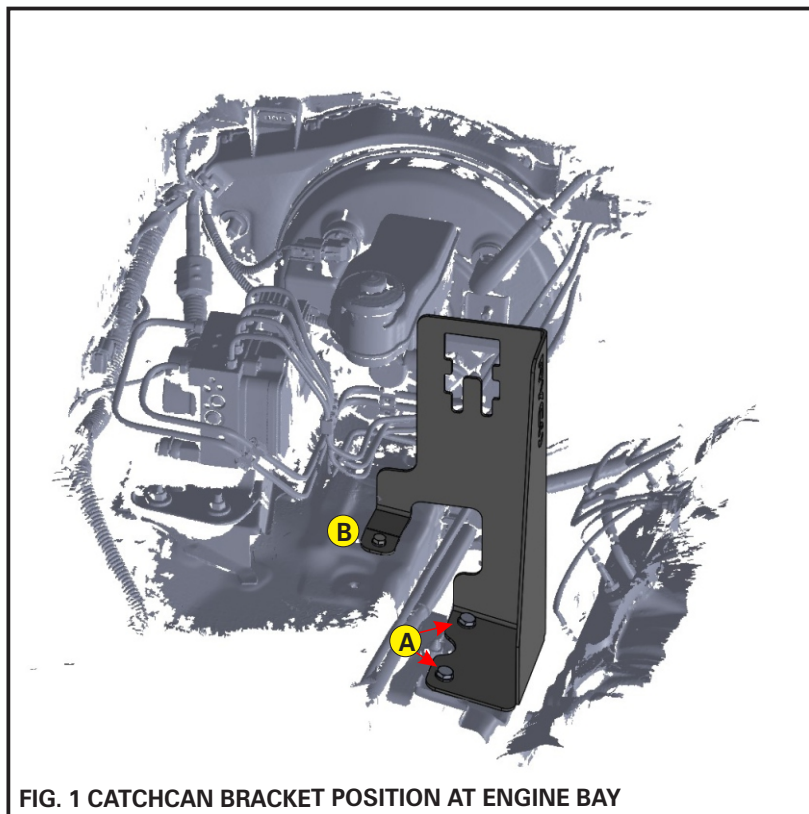
# RVSK102 FUEL WATER SEPARATOR / CATCHCAN FITMENT INSTRUCTIONS

## SECTION 2A CATCHCAN BRACKET FITMENT

 <p>FB9808CC CATCH CAN METAL BRACKET</p> <p>MS4037 HEX BOLT x 1 (M6)</p> <p>MS4036 FLAT WASHER x 1 (M6)</p>	<p><b>TOOLS &amp; PPE'S REQUIRED</b></p> <ul style="list-style-type: none"> <li>* WORK GLOVES</li> <li>* RACHET SET</li> <li>* HOSE CLAMP PLIERS</li> </ul>
---	---


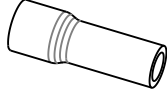





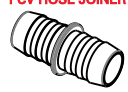
### WORK PROCEDURE

1. Locate the bracket mounting position on the drivers side of the engine bay as shown in Fig. 1 , then remove the two (2) factory bolts (A in Fig. 1) from the suspension upper control arm shield, but do not remove the shield.
2. Fit the Ryco catchcan bracket on top of suspension upper control arm shield, and reinstall the two (2) factory bolts (position A in Fig. 2), and install the supplied bolt and washer (position B in Fig. 2).
3. Ensure all fasteners are tight.



## RVSK102 FUEL WATER SEPARATOR / CATCHCAN FITMENT INSTRUCTIONS

### SECTION 2B CATCHCAN INSTALLATION

PARTS REQUIRED			TOOLS & PPE'S REQUIRED
 <p>RCC351 CATCHCAN (SOLD SEPARATELY)</p>	 <p>MH9808A PCV HOSE x 1</p>	 <p>MH9808B PCV HOSE x 1</p>	<p><b>* WORK GLOVES</b>  <b>* RACHET SET</b>  <b>* HOSE CLAMP PLIERS</b></p>
	 <p>MS4091 PCV HOSE CLAMP x 2</p>	 <p>MS4094 PCV HOSE CLAMP x 2</p>	
	 <p>MS4092 PCV HOSE CLAMP x 1</p>	 <p>3MM NYLON BRACKET (OPTIONAL)</p>	
		 <p>MS4100 PCV HOSE JOINER</p>	

### WORK PROCEDURE

1. Mount the catchcan onto the bracket by sliding the RCC351 onto the catchcan mounting position so the ports are facing forward and slightly toward the engine. Tighten the plastic bracket retaining screw on the RCC351.  
(If the RCC351 is fitted with a 2mm-slot plastic bracket, discard it and use the 3mm-slot bracket from the RVSK102 kit instead)
2. Remove the engine cover. Locate the engine PCV valve outlet port at the front drivers side of the engine (see Fig. 3). Disconnect the factory PCV hose (coloured yellow in Fig. 3 & 4) from the PCV valve outlet port but leave the other end attached to the air intake.
3. Connect the small end of Ryco PCV hose MH9808B (coloured green in Fig. 5) to the engine PCV valve outlet using the supplied hose clamp MS4092. Connect the larger diameter end to the lower port of the RCC351. Secure with the supplied hose clamp MS4091.
4. Connect a supplied straight hose joiner MS4100 to the small diameter end of the Ryco PCV hose MH9808B (coloured orange in Fig. 5) and secure with a supplied hose clamp MS4094.



FIG. 3 FACTORY PCV HOSE POSITION AT ENGINE BAY



FIG. 4 FACTORY PCV HOSE IDENTIFICATION

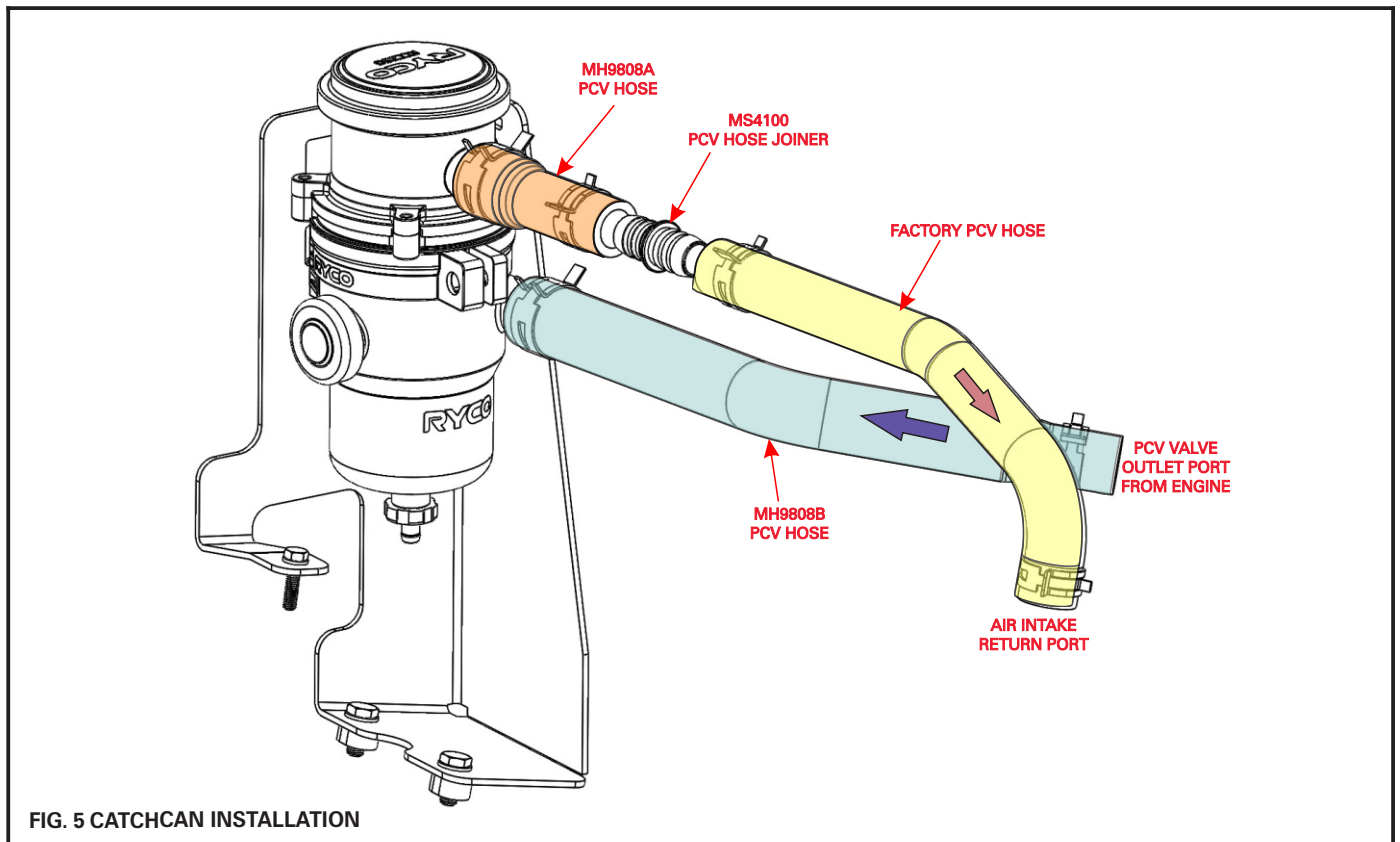


# RVSK102 FUEL WATER SEPARATOR / CATCHCAN FITMENT INSTRUCTIONS

## SECTION 2B CATCHCAN INSTALLATION

### WORK PROCEDURE

5. Connect MH9808B to the factory PCV hose (coloured yellow in Fig. 5) via the hose joiner and secure with a supplied hose clamp, then connect the large diameter end to the upper part of the RCC351 and secure with a supplied hose clamp MS4091.
6. Check both PCV hoses are not jammed or kinked by the surrounding engine parts.



### DRAIN HOSE INSTALLATION PROCEDURE (OPTIONAL)

1. To install the drain hose, remove the drain plug from the bottom of RCC351, take out the rubber seal from the plug and refit. Insert the drain hose and secure it with the supplied spring clamp. Insert the hose drain tap to the other end and use the zip ties to secure the hose. To drain, pull back the red section until all oil has drained out.
2. If it has been fitted without using the drain hose supplied, simply slide out the unit from its bracket and loosen the drain plug on the unit and let the oil drain onto a pan or bottle.